



MP Antenna, LTD.
147 Eady Court
Elyria, Ohio 44035

440.387.5968 phone
440.545.3500 fax
www.mpantenna.com
sales@mpantenna.com

Part Number: 08-ANT-0867

model number: 08-ANT-0867
product description: 2.4GHz Omni Directional 120-Sector WiFi Antenna

Electrical Data

frequency range: 2-2.7GHz	environmental cond.: Outdoor
gain: 10dBi	operation temperature: -40 to 85 deg C
vswr: <1.5:1	storage temperature: -40 to 85 deg C
horizontal pattern type: Directional	transport temperature: -40 to 85 deg C
vertical patter type: Directional	IP Rating: IP66
ground plane: Built In	RoHS - REACH Compliant
min ground plane : N/A	

Environmental Data

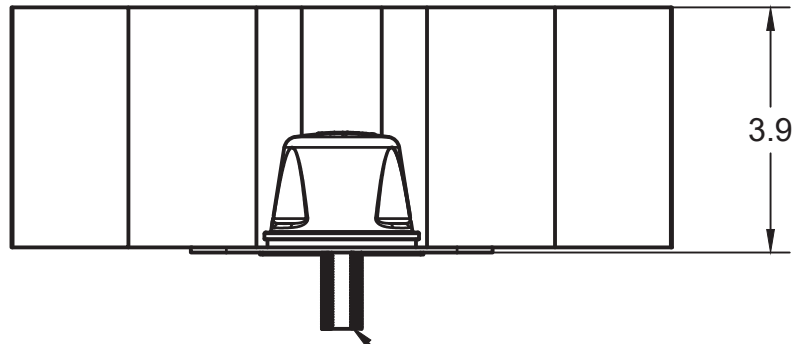
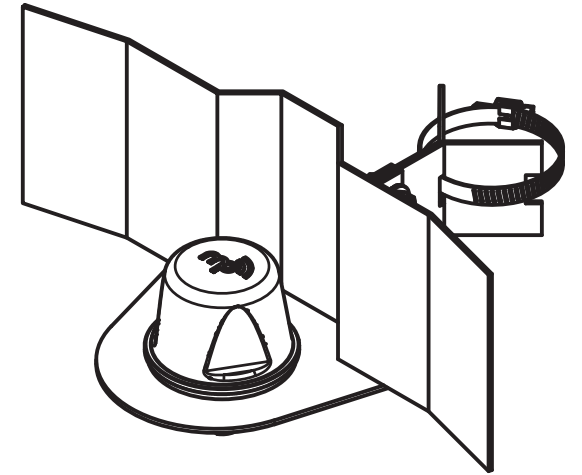
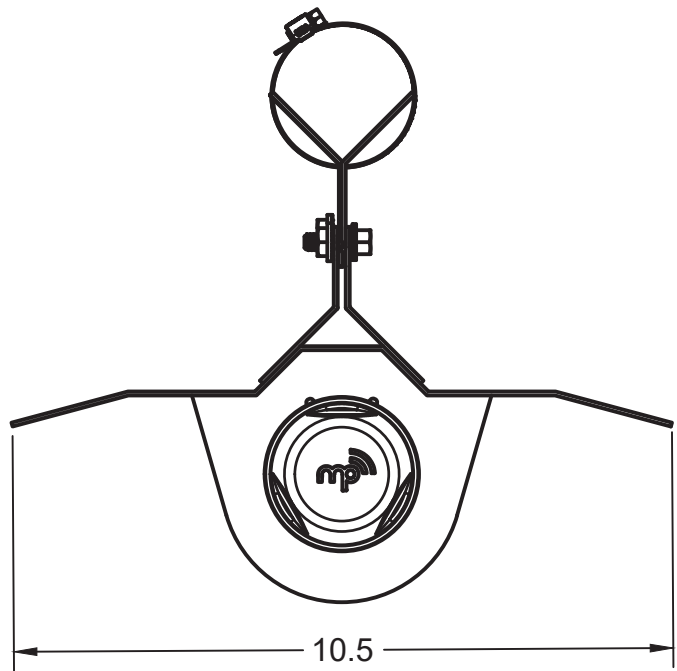
General Data

color: Black or White	length: 11 in
antenna feeds: One	width: 6 in
coax length: N/A	height: 4 in
coax type: N/A	mounting type: Connector
connector type: Various	hardware included: Mast or Wall Mount
polarization: Multi-Polarized	weight: 10 oz
power: 50 Watts Input	
impedance: 50 ohms Nominal	
construction: UV Stabilized Polymers, High Grade Aluminum	

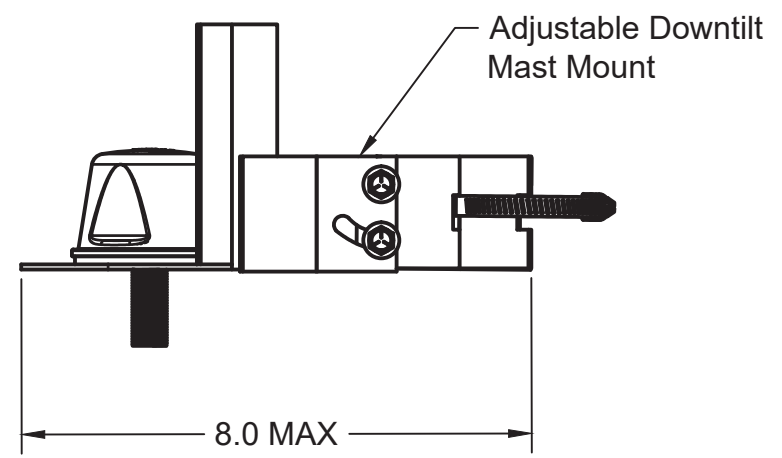
Mechanical Data

*** With built in spatial and polarization diversity, performance in obstructed environments is greater than that of standard antennas with similar or higher laboratory gains.**






N-Female Connector



Adjustable Downtilt Mast Mount

MP ANTENNA, LTD.
147 Eady Court
Elyria, Ohio 44035
www.mpantenna.com

THIRD ANGLE 	DIMENSIONS ARE IN INCHES	
	NAME	DATE
DRAWN	BM	1/24/2020

PROPRIETARY AND CONFIDENTIAL
THE INFORMATION CONTAINED IN THIS DRAWING IS THE SOLE PROPERTY OF MP ANTENNA, LTD. ANY REPRODUCTION IN PART OR AS A WHOLE WITHOUT THE WRITTEN PERMISSION OF MP ANTENNA LTD IS PROHIBITED.

DESCRIPTION:
2.4 GHz Sector
120 Degree
Mast Mount

PART NO.
08-ANT-0867-MAST-NF



MP Antenna, LTD.
147 Eady Court
Elyria, Ohio 44035

440.387.5968 phone
440.545.3500 fax
www.mpantenna.com
sales@mpantenna.com

Part Number: 08-ANT-0867

model number: 08-ANT-0867
product description: 2.4GHz Omni Directional 120-Sector WiFi Antenna

Frequency: 2.4GHz
Max Gain: 10dBi

